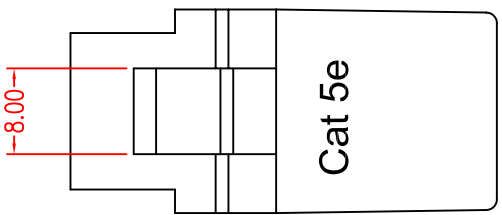


| | |
|------|------------|
| Date | 2004/07/26 |
| Ver | 4.07261 |



A

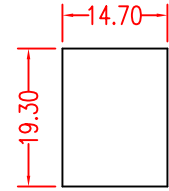
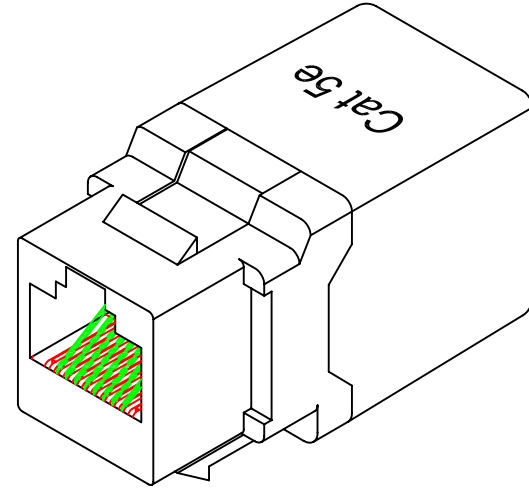
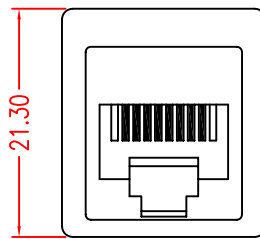
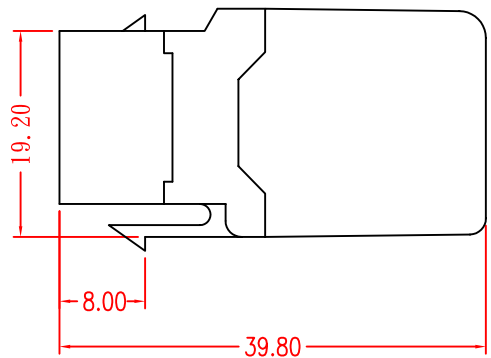
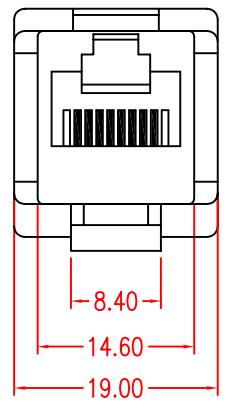
A

B

B

C

C



SUGGESTED PANEL CUTOUT

| COMMON TOLERANCE | | |
|------------------|-------|-------|
| CLASS | A | B |
| DIMENSION | | |
| L<=3 | ±0.05 | ±0.1 |
| 3<L<=6 | ±0.05 | ±0.1 |
| 6<L<=16 | ±0.1 | ±0.15 |
| 16<L<=30 | ±0.1 | ±0.2 |
| 30<L<=120 | ±0.15 | ±0.3 |
| 120<L<=315 | ±0.2 | ±0.5 |

D

D

E

E

| | | | |
|----------|---|-------|--|
| MATERIAL | | | |
| HOUSING | Standard - ABS Resin <input checked="" type="checkbox"/> UL94V0 <input type="checkbox"/> UL94V2 | COLOR | <input checked="" type="checkbox"/> BLACK <input type="checkbox"/> IVORY <input type="checkbox"/> GRAY |
| CONTACT | 0.46 mm Dia. Phosphor Bronze, Gold plating over Nickel | | |
| OPTIONAL | <input type="checkbox"/> 6u inch <input type="checkbox"/> 15u inch <input type="checkbox"/> 30u inch <input checked="" type="checkbox"/> 50u inch | | |
| REV. | DESCRIPTION | ENG. | APPROVAL |

| | | |
|--|-------|-----------------|
| ITEM. | CO. | FILE. |
| DR. | APPD. | CHKD. |
| NEX1 Technologies Co., Ltd TEL: (02) 2518-1300 FAX: (02) 2501-4209 | | SCALE / |
| | | UNIT mm SIZE A4 |
| | | SHEET REV. |

1

2

3

4

5

6

7